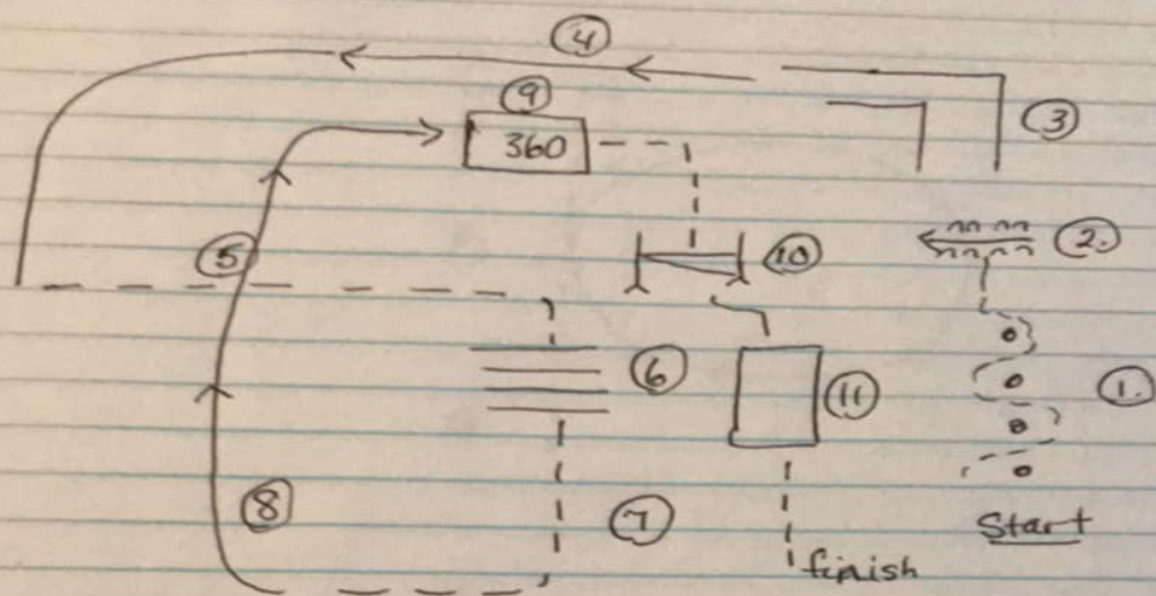


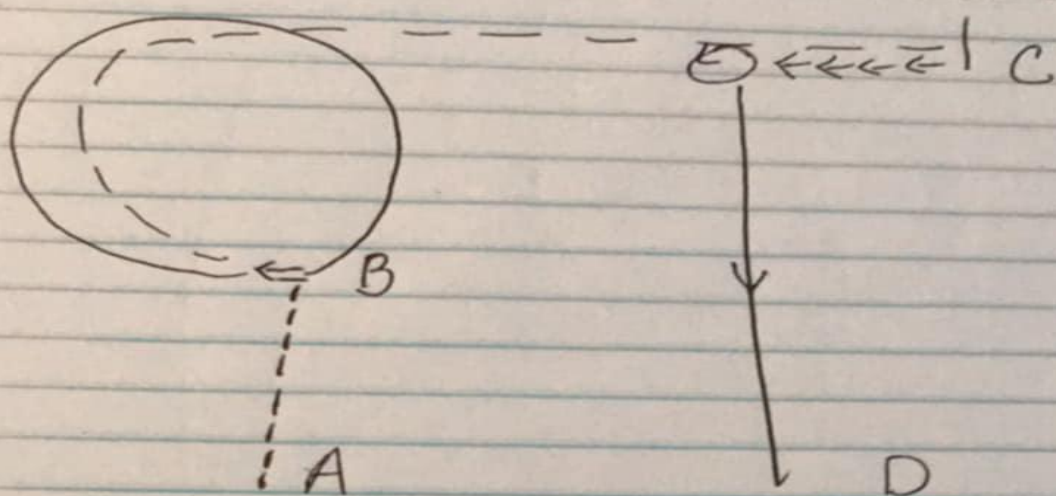
Class #1
Class #2

JUNIOR TRAIL
SENIOR TRAIL



1. Trot through and around cones.
2. Side pass left over pole.
3. Back through "L",
4. Lope Left Lead,
5. trot.
6. trot over 4 poles.
7. extend trot.
8. Lope right lead.
9. Stop at Box, enter box, complete a 360 right
10. walk to Gate (open and close it).
11. walk over bridge.
12. exit arena.

Class # 8 Senior Western Horsemanship

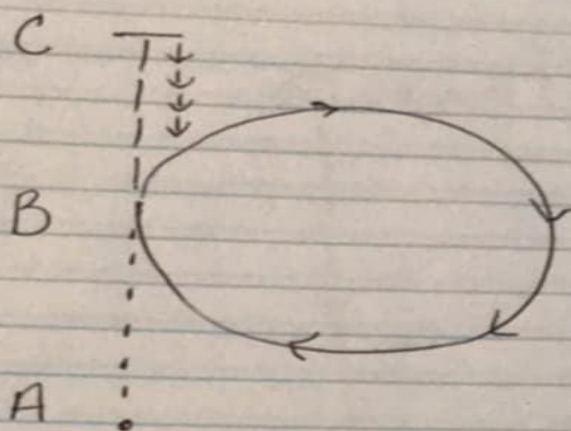


1. Be ready at A.
2. Jog to B and stop.
3. Perform a 90° degree to the left.
4. Lope a right lead circle back to B.
5. At B break to a jog.
6. Jog a 1/2 (half) circle to C.
7. At C STOP.
8. Back until you are even with D.
9. Execute a 270° turn on the haunches to the left.
10. Lope left lead to D.
11. Break to a walk at D.
12. Exit.

Junior Reining Class # 9

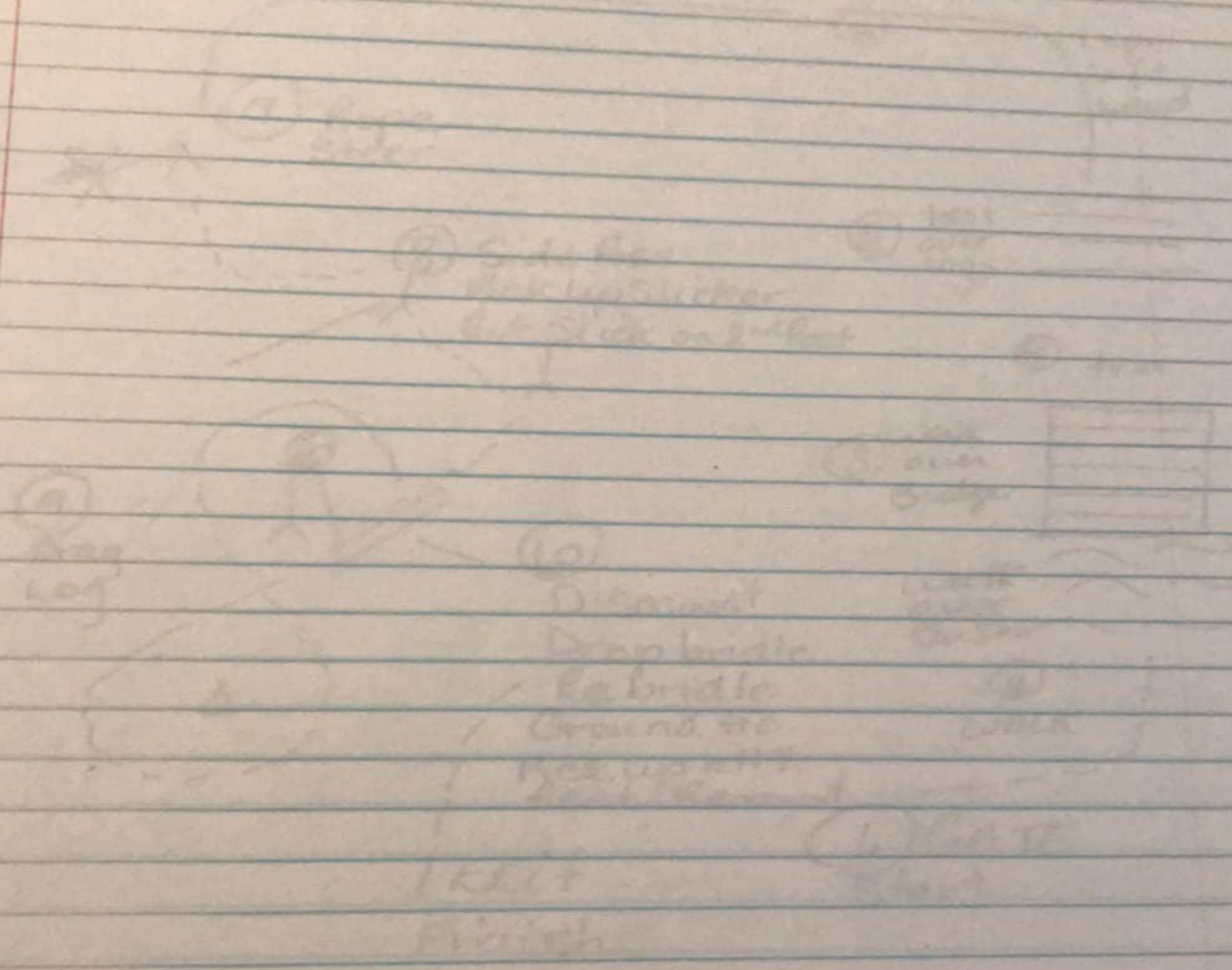
Pattern # 4

Class # 7 JR Western Horsemanship



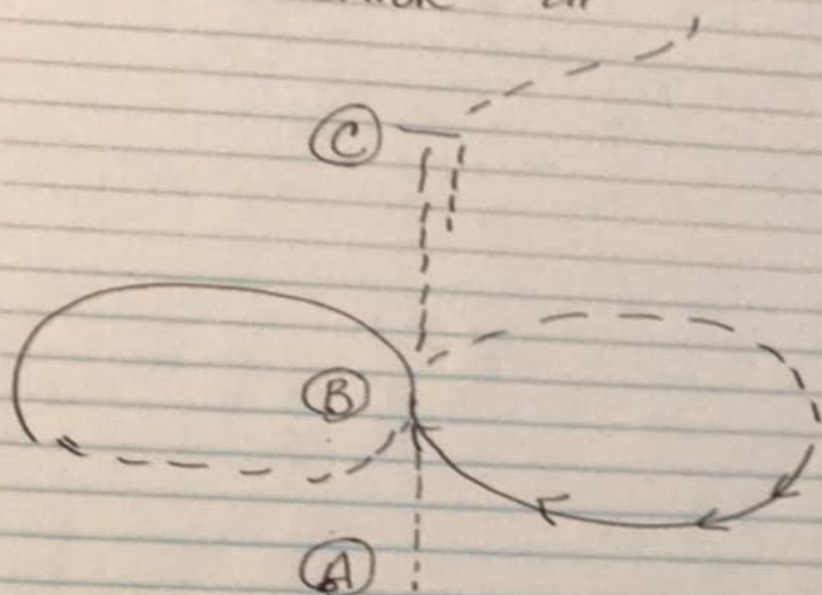
1. Be ready at A.
2. Jog to B.
3. Lope right lead.
4. Lope a right circle.
5. Walk to C.
6. Stop at C.
7. Back 4 steps.
8. Walk.
9. Find a place on the rail

Class # 16 Senior Ranch Riding
Pattern # 4



Class #29
Class "30

Junior Equitation
Senior



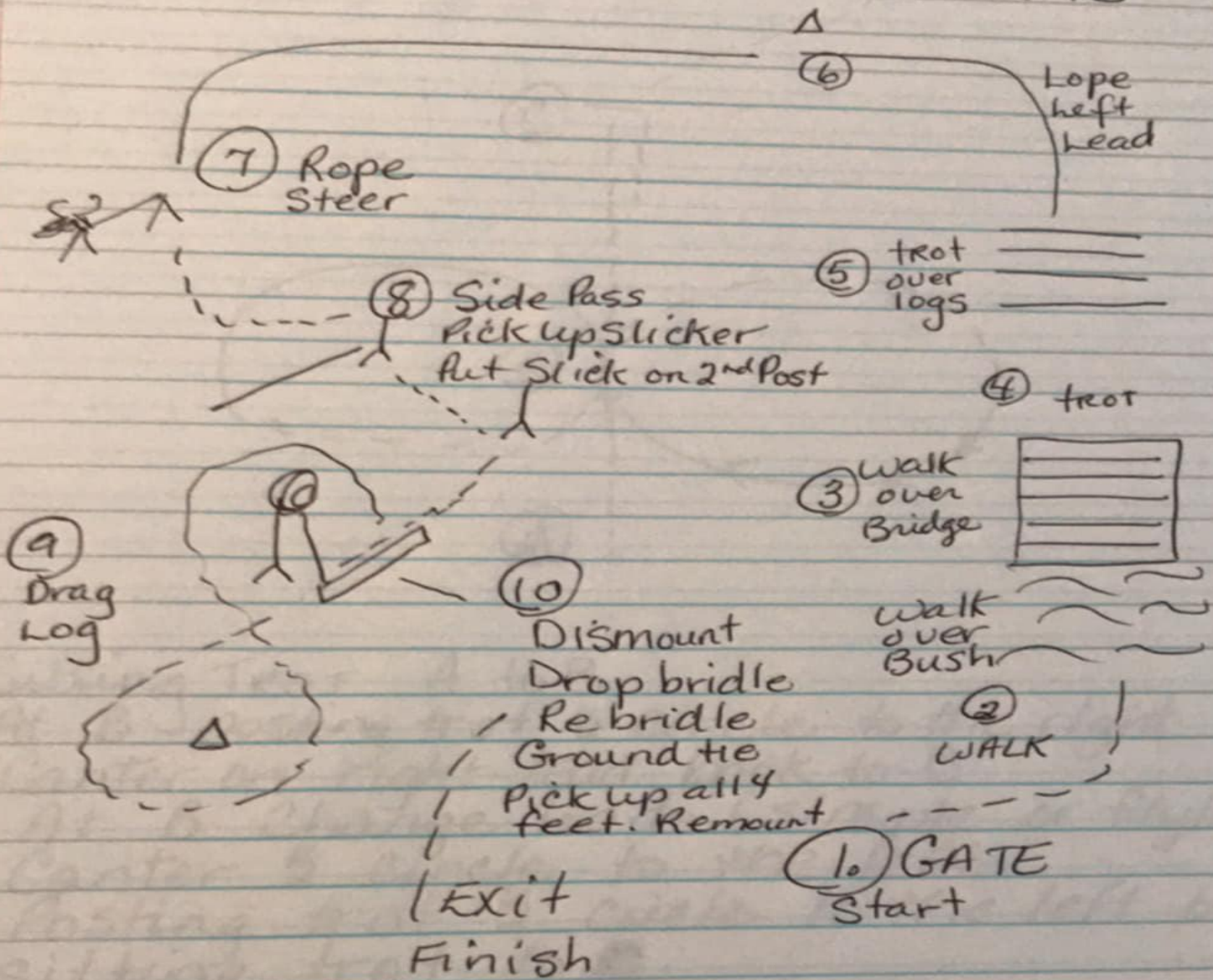
- 1 Sitting Trot A to B
- 2 At B posting trot $\frac{1}{2}$ circle to the right
- 3 Canter on right lead back to B
- 4 At B Change leads (simple or flying)
- 5 Canter $\frac{1}{2}$ circle to the left
- 6 Posting trot $\frac{1}{2}$ circle to the left back to B
- 7 Sitting trot to B
- 8 Stop at C
- 9 Back one horse length
- 10 Exit at walk

Senior Reining Class #10

Pattern #8

Class # 19
Class # 20

Junior Ranch TRAIL
Senior Ranch TRAIL



EXIT
Finish

Class # 15 Junior Ranch Riding
Pattern # 1

Leadline + Walk/Trot Trail

Obstacles will be in the same position as Junior and Senior Trail. Gate will be removed.

1. Walk through and around cones.
2. Walk over pole.
3. Walk through "L".
4. Trot around and through poles.
5. Trot to box.
6. Walk into box. Halt for 3 seconds.
7. Walk to bridge and walk over.
8. Exit ring.

